



**TTA-38**

**AMERICAN TOASTER  
MACHINE**

**USER MANUAL**

## CONTENTS

- 1- GENERAL INFORMATION**
- 2- PRODUCT INTRODUCTION**
- 3- TECHNICAL SPECIFICATIONS**
- 4- PRODCUT SCHEME**
- 5- TRANSPORTATION AND STORAGE CONDITIONS**
- 6- UNPACKING THE PACKAGE**
- 7- PRE-INSTALLATION INFORMATION**
- 8- INSTALLATION AND USAGE**
  - 8.1- CLEANING**
- 9- ELECTRICAL DIAGRAM**
- 10- WARRANTY CERTIFICATE AND TERMS**

**DEAR USER,**

AS MAKFRY FAMILY, WE THANK YOU FOR CHOOSING OUR DEVICE AND FOR YOUR TRUST IN OUR COMPANY. WE IMPORTANTLY REMEMBER YOU TO READ THE INSTRUCTIONS AND INFORMATION IN THE USER MANUAL CAREFULLY AND HAVE YOUR USERS READ IT IN ORDER TO GET THE PRODUCT SUITABLE FOR YOUR EXPECTATIONS AND TO USE IT FOR A LONG-TERM.

THE INFORMATION REGARDING THE INSTALLATION, USAGE AND MAINTENANCE OF THE PRODUCT YOU HAVE PURCHASED IS INCLUDED IN THE USER'S MANUAL.

PLEASE READ THE USER MANUAL CAREFULLY BEFORE INSTALLING YOUR DEVICE. THE CONNECTION NETWORK MUST BE PREPARED BY AUTHORIZED PERSONNEL IN ACCORDANCE WITH THE LEGAL REGULATIONS. IF THE MAINS VOLTAGE TO THE ELECTRICAL CONNECTION OF YOUR DEVICE IS NOT IN SUITABLE CONDITIONS, THE VOLTAGE OVER THE DEVICE'S CAPACITY WILL CAUSE FAILURE AND YOUR DEVICE WILL BE OUT OF THE SCOPE OF WARRANTY.

## **1- GENERAL INFORMATION**

THIS USER'S MANUAL CONTAINS INFORMATION ABOUT MAKFRY TTA-38 INSTRUCTIONS FOR USE, REQUIREMENTS AND COVERAGE OF WARRANTY.

CAREFULLY READ ALL INSTRUCTIONS AND WARNINGS IN THE USER'S MANUAL. THIS USER'S MANUAL CONTAINS IMPORTANT INFORMATION ABOUT THE SAFE INSTALLATION, USE AND MAINTENANCE OF YOUR PRODUCT.

THE MANUFACTURER CANNOT BE RESPONSIBLE FOR DAMAGES TO HUMAN, ENVIRONMENT OR OTHER MATERIALS ARISING FROM PRINTING OR TRANSLATION OF THE USER'S MANUAL. INCIDENTAL DAMAGE TO YOUR PRODUCT, NEGLIGENCE, DAMAGE DUE TO FAILURE TO FOLLOW INSTRUCTIONS AND REGULATIONS OR WRONG CONNECTIONS AND UNAUTHORIZED INTERFERENCE TO THE PRODUCT SHALL EXCEED THE PRODUCT WARRANTY PROCESS.

**KEEP THIS USER MANUAL IN AN EASY ACCESS PLACE FOR USE IF NEEDED.**

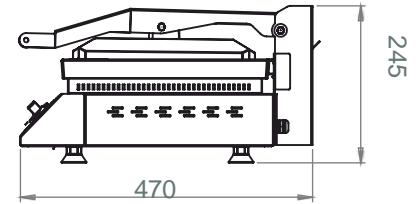
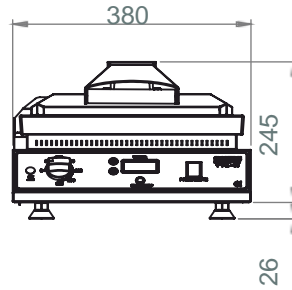
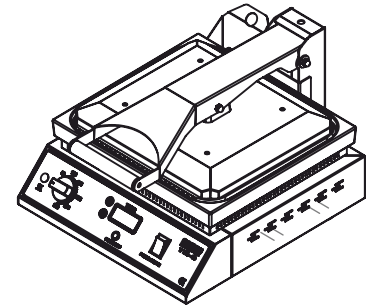
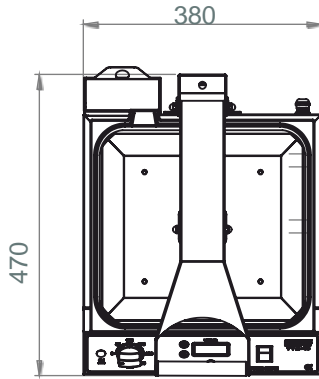
## 2- PRODUCT INTRODUCTION

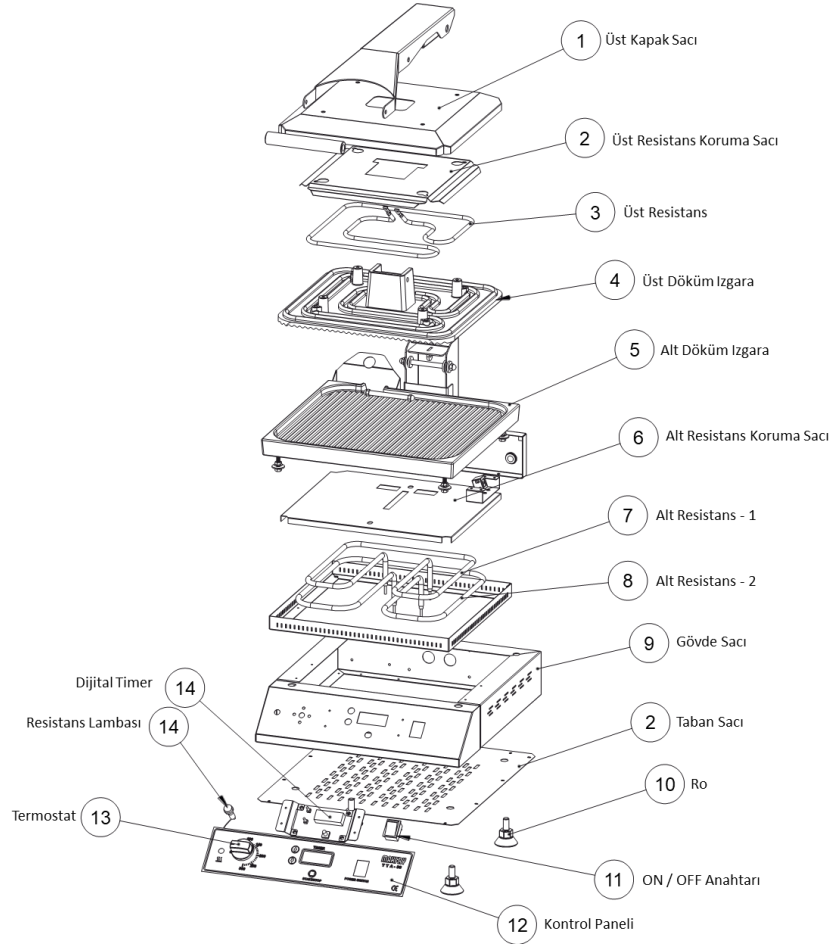
MAKFRY TTA-38 AMERICAN TOASTER MACHINE IS DESIGNED TO BE USED IN INDUSTRIAL KITCHENS AND IT IS RECOMMENDED FOR USE BY PROFESSIONAL USERS.

## 3- TECHNICAL SPECIFICATIONS

DIMENSIONS	WIDTH:380 MM - DEPTH:470 MM – HEIGHT: 245 MM
ENERGY	220-240 V 2,7 kW 50-60 HZ
WEIGHT	25 KG (GROSS)
PRODUCT CLASS	I / IP 20

#### 4- PRODUCT SCHEME





## **5- TRANSPORTATION AND STORAGE CONDITIONS**

THE PRODUCT IS SPECIALLY PACKED AND SHIPPED IN A FORM. CARRY THE PRODUCT WITH THE FORKLIFT FEET INSTALLED UNDER THE PALLET. IF THE TRANSPORT DISTANCE IS FAR, IT MUST BE MOVED SLOWLY AND SUPPORTED BY AN ADDITIONAL PERSON TO AVOID LOSS OF BALANCE. DO NOT KNOW OR DROP THE PRODUCT WHEN CARRYING IT. IF THE PRODUCT IS TO BE STORED WITHOUT USING, IT SHOULD BE STORED WITHOUT OPENING ITS PACKAGING AND CASE. IF THE PRODUCT IS TO BE USED AND STORED AGAIN, IT MUST BE PROTECTED BY CLEANING AND PACKAGING

## **6- UNPACKING THE PACKAGE**

CHECK THAT THE PRODUCT IS NOT DAMAGED DURING SHIPPING. CHECK THAT THE PARTS OF THE PRODUCT ARRIVES COMPLETELY.

PARTS IN CONTACT WITH FOOD ARE MADE OF STAINLESS STEEL. PLASTIC PARTS IN CONTACT WITH FOOD ARE MANUFACTURED ACCORDING TO FOOD REGULATIONS. ALL PLASTIC PARTS ARE MARKED WITH THE MATERIAL SYMBOL.

DISPOSE THE PACKAGING MATERIALS OF THE PRODUCT AFTER INSTALLATION ACCORDING TO THE SAFETY AND ENVIRONMENTAL CONDITIONS AND ACCORDING TO THE REGULATIONS OF THE COUNTRY YOU ARE IN. TAKE THE RECYCLABLE MATERIAL (FOIL, CARTON, STYROFOAM, ETC.) INTO THE RELEVANT RECYCLING BOXES. WHEN DISPOSAL OF ANY ELECTRICAL EQUIPMENT, MAKE IT UNUSABLE BY CUTTING THE CABLE.



## **7- PRE-INSTALLATION INFORMATION**

INSTALLATION MUST BE DONE BY AN AUTHORIZED TECHNICIAN ACCORDING TO THE INSTRUCTIONS AND REGULATIONS. OUR COMPANY CANNOT BE LIABLE FOR ANY DAMAGES DUE TO INCORRECT INSTALLATION.

IF THE PRODUCT FAILS, TURN OFF THE PRODUCT. ONLY A SERVICE AUTHORIZED BY THE MANUFACTURER MUST PROVIDE THE PRODUCT.

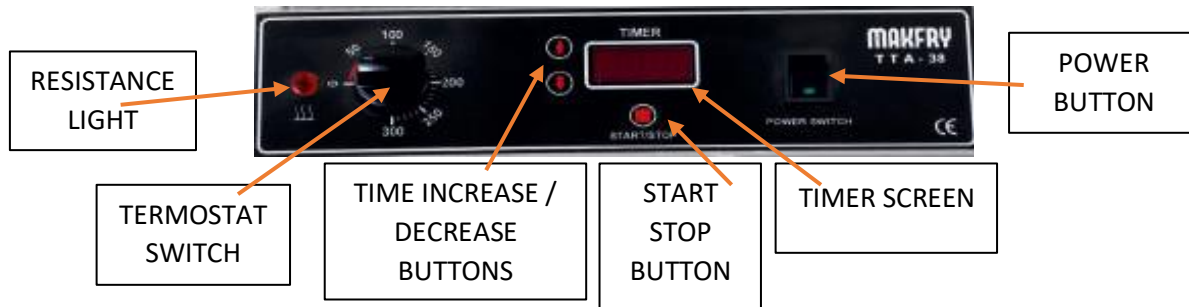
FAULTS MUST BE REPLACED WITH ORIGINAL SPARE PARTS. THE PARTS LIST IS ALSO STATED IN THE BOOKLET.

THE FLOOR ON THE PRODUCT MUST BE FLAT. NECESSARY PRECAUTIONS MUST BE TAKEN AGAINST THE RISKS OF THE PRODUCT TO TURNOVER.

THE PRODUCT MUST BE CONNECTED TO THE MAIN NETWORK BY AN AUTHORIZED ELECTRICAL TECHNICIAN ONLY IN ACCORDANCE WITH THE LAW AND REGULATIONS. MAKE SURE THAT THE POWER FROM THE MAIN NETWORK WILL MATCH THE POWER OF THE PRODUCT. MAKE THE GROUND CONNECTION OF THE PRODUCT ACCORDING TO THE STANDARDS AND SAFETY RULES. GROUNDING OF THE PRODUCT MUST BE CONNECTED TO THE EARTH LINE ON THE NEAREST PANEL OF THE ELECTRICAL INSTALLATION. THE PRODUCT ELECTRICAL CONNECTION, MAIN FUSE AND LEAKAGE FUSE MUST COMPLY WITH THE APPLICABLE REGULATIONS AND RULES.

## 8- INSTALLATION AND USAGE

ADJUST THE HEIGHT OF THIS AMERICAN TOASTER, WHICH IS AN ESSENTIAL PRODUCT OF FAST FOOD AND SNACK BARS, BY INSTALLING THE HANDLE FOUND IN THE UPPER ARM SECTION AND ADJUSTING THE HEIGHT LEVEL.



TURN ON YOUR DEVICE FROM THE POWER BUTTON. BRING IT TO THE DESIRED TEMPERATURE WITH THE THERMOSTAT BUTTON. THE RESISTANCE LIGHT WILL TURN ON. WAIT UNTIL THE RESISTANCE LIGHT GOES OFF. ADJUST THE TIMER TIME BY PRESSING THE UP OR DOWN ARROWS. AFTER PLACING YOUR PRODUCT IN THE MACHINE, PRESS THE START/STOP BUTTON. WHEN THE TIME IS UP, YOUR DEVICE WILL GIVE AN AUDIBLE WARNING. YOU CAN TAKE YOUR PRODUCT FROM THE DEVICE.

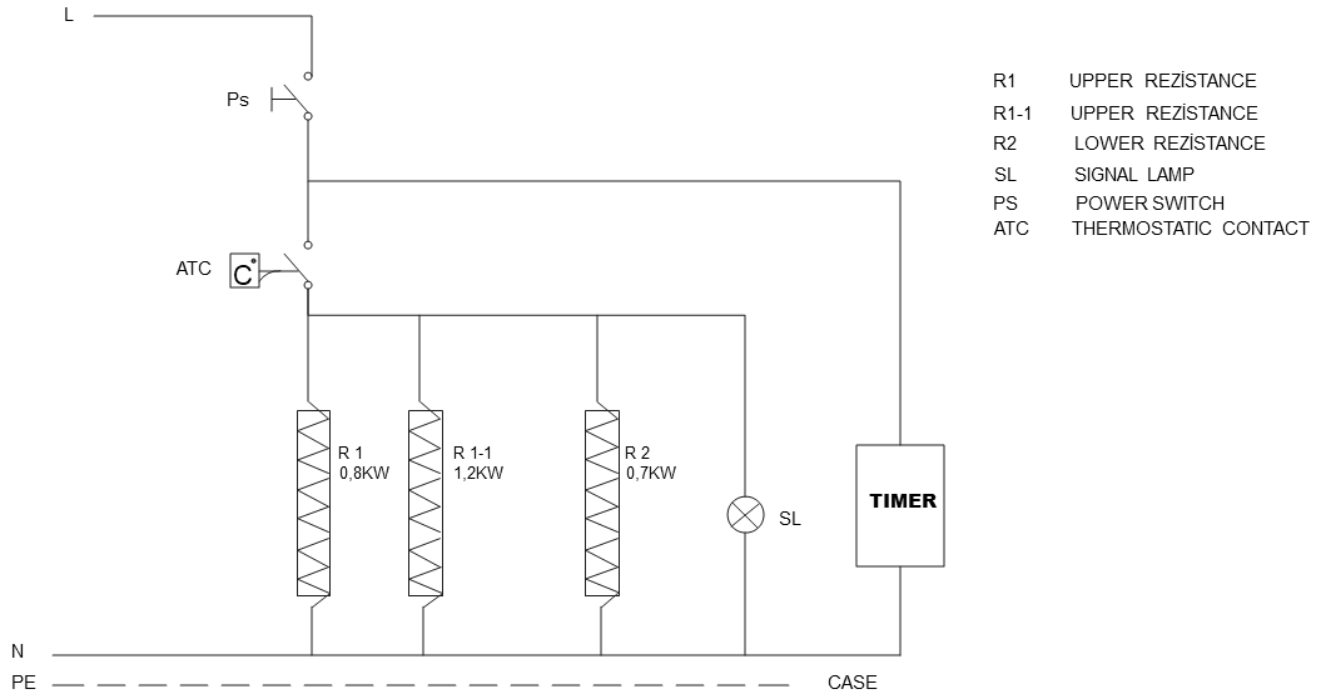
\*FOR GRILLING MEATS THAT WILL COOK QUICKLY, USE AT 300°C.

\*FOR SANDWICH COOKING, USE AT LOW TEMPERATURES OF 200-220°C.

### **8.1- CLEANING**

DO NOT CLEAN THE PRODUCT WITH ITEMS THAT WILL DAMAGE OR SCRATCH ITS SURFACE, SUCH AS WIRE, WIRE BRUSH, AND SIMILAR PRODUCTS. MAKE SURE TO UNPLUG THE DEVICE DURING CLEANING. BE CAREFUL NOT TO GET WATER ON THE ELECTRONIC PARTS OF THE DEVICE. YOU CAN CLEAN THE GRILL SURFACE WITH HOT WATER AND WATER. DO NOT WASH YOUR DEVICE WITH PRESSURIZED WATER. AFTER WASHING, BE SURE TO DRY IT.

## 9- ELECTRICAL DIAGRAM



## **10- WARRANTY CERTIFICATE AND TERMS**

AS MAKFRY FAMILY, THANK YOU FOR CHOOSING OUR PRODUCTS. WARRANTY DOCUMENT MUST BE KEPT DURING THE WARRANTY PROCESS. IF THE DOCUMENT IS LOST, A SECOND DOCUMENT WILL NOT BE GIVEN TO THE CUSTOMER AND THIS DOCUMENT MUST BE SHOWED WHEN THE CUSTOMER REQUIRES WARRANTY REPAIR. OTHERWISE, REPAIR IS CHARGED. IF THE WARRANTY DOCUMENT IS UNCLEAR, MAKFRY MAY ALSO REQUEST A CERTIFICATE OF PURCHASE.

- 1- THE WARRANTY PROCESS STARTS FROM DELIVERY DATE TO THE CONSUMER AND IS 2 YEARS. DIGITAL PANEL IS 1 YEAR, RESISTANCES ARE 6 MONTHS.
- 2- IF THE GOODS FAILS WITHIN THE WARRANTY PERIOD, THE PERIOD IN REPAIR IS ADDED TO THE WARRANTY PERIOD. THE REPAIR TIME OF THE GOODS IS A MAXIMUM 30 BUSINESS DAYS.
- 3- MAINTENANCE AND REPAIR MUST BE DONE BY AUTHORIZED BY MAKFRY. OTHER INTERVENTIONS, THE GOODS WILL BE OUT OF THE SCOPE OF WARRANTY.
- 4- IF DEFECTIVE MATERIAL AND/OR WORKMANSHIP CAUSES FAILURE DURING THE WARRANTY PERIOD, MAKFRY WILL MAKE THE NECESSARY ARRANGEMENTS AT ITS OWN EXPENSE, AND ITS ANY DAMAGES UNDER THE SCOPE OF THE WARRANTY.
- 5- WARRANTY DOES NOT COVER CONSEQUENTIAL DAMAGES, INCLUDING LOSS OF BUSINESS OR INFORMATION, AND DOES NOT APPLY TO THE FOLLOWING CASES:
  - IF THE GOODS IS USED AGAINST THE METHODS OR CONDITIONS STATED IN THE PROMOTION AND USER'S GUIDE OR APPENDIX,
  - IF IT IS DETERMINED THAT THE GOODS WAS PREVIOUSLY REPAIRED OR OPENED BY NON-AUTHORIZED PERSONS AND/OR REPAIR WORKSHOPS,
  - IF THE GOOD IS USED WITH UNAPPROPRIATE VOLTAGE OR WITH FAULTY ELECTRICAL INSTALLATION WITHOUT THE KNOWLEDGE OF AUTHORIZED SERVICES DETERMINED BY MAKFRY.
  - IF THE SERIAL NUMBER OF THE GOODS IS DAMAGED OR DISASSEMBLED, ANY MODIFICATION IS MADE TO THE WARRANTY DOCUMENT OR PURCHASE DOCUMENTS, OR THE DOCUMENTS HAVE BEEN ILLEGAL,

- IF FAULT OR DAMAGE OCCURRED DURING SHIPPING, WHICH IS NOT MAKFRY'S RESPONSIBILITY,
  - IF THE EXTERIOR SURFACES OF THE GOODS ARE DAMAGED WITHIN THE CONSUMER RESPONSIBILITY,
  - IN CASE OF FAULTS CAUSED BY ACCESSORIES OR OTHER DEVICES THAT CAN BE USED WITH THE PRODUCT AND PURCHASED FROM A PLACE OUTSIDE OF OUR COMPANY OR OUR AUTHORIZED SERVICES,
  - IN CASE OF FAILURES AND DAMAGES CAUSED BY NATURAL DISASTERS SUCH AS FIRE, LIGHTNING, FLOOD, EARTHQUAKE ETC,
  - IF THE ELECTRONIC PARTS OF THE GOODS ARE DAMAGED DUE TO LIQUID CONTACT WITH THE CONSUMER'S RESPONSIBILITY,
  - THE WARRANTY DOES NOT COVER ANY WEAR PRODUCTS AND/OR PRODUCT PARTS MADE OF ACCESSORIES OR GLASS, WHICH CAN BE CONSIDERED AS CONSUMABLES BY NATURE,
  - IF THE FAILURE IS CAUSED BY ERRORS OR MISUSE OF THE PRODUCT OR ENVIRONMENTAL CONDITIONS THAT DO NOT FOLLOW THE RECOMMENDED CONDITIONS OF USE OF THE PRODUCT,
  - THE WARRANTY IS FOR CORROSION, DEFORMATIONS AND DAMAGES OCCURRING IN ESPECIALLY ELECTRICAL COMPONENTS ARISING FROM OPERATION OF THE DEVICE IN ACIDIC OR HUMID ENVIRONMENTS.
  - IN TSE OR CE CERTIFIED PRODUCTS USED, EXCEPT MAKFRY SPECIAL PRODUCTION ON THE GOODS.
- 6- TRANSPORTATION COSTS OF MAKFRY AUTHORIZED SERVICE PERSONNEL IN THE REPAIR PROCESS TO BE DONE WHERE THE GOODS ARE AVAILABLE, WITH ON-SITE SERVICE. ACCORDING TO THE AUTHORIZED SERVICE DETECTION, THE REPLACEMENT/REPAIR OF THE WARRANTY WILL BE MADE WITH OR FREE OF CHARGE.
- 7- İZMİR COURTS AND EXECUTION OFFICES ARE AUTHORIZED IN CASE OF CONFLICT OF SCOPE OF WARRANTY.

MODEL	
SERIAL NUMBER	
WARRANTY PERIOD	
WARRANTY PROCESS START	



ADDRESS: GÖKDERE CADDESİ NO:27/A  
35040 - GÖKDERE / BORNOVA/ İZMİR

CONTACT: +90 232 207 21 51

E-MAIL: INFO@MAKFRY.COM

**STAMP - SIGNATURE**